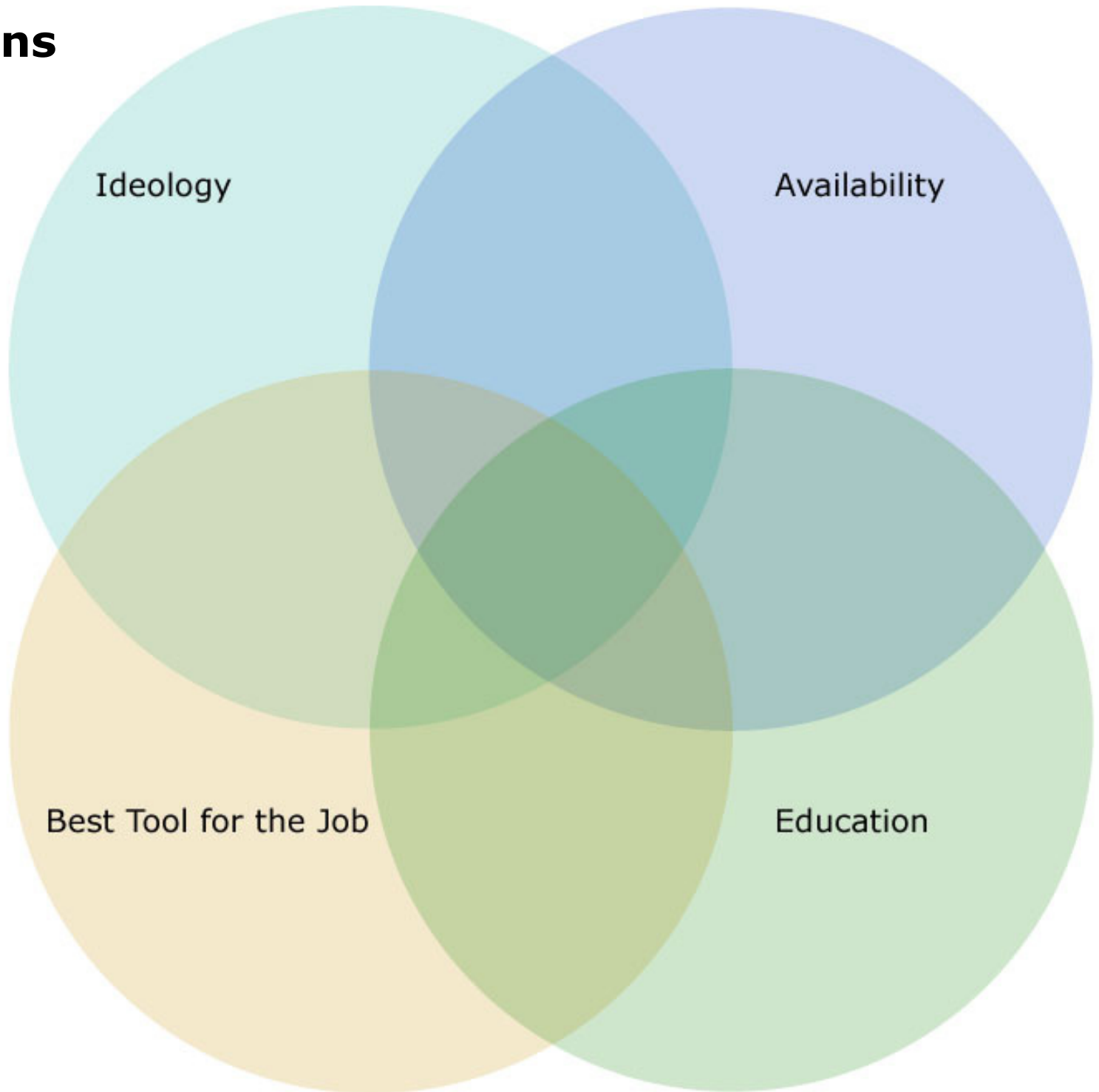


Low-Tech Spacial Data Capture

Alex Schlegel & Becky Stern

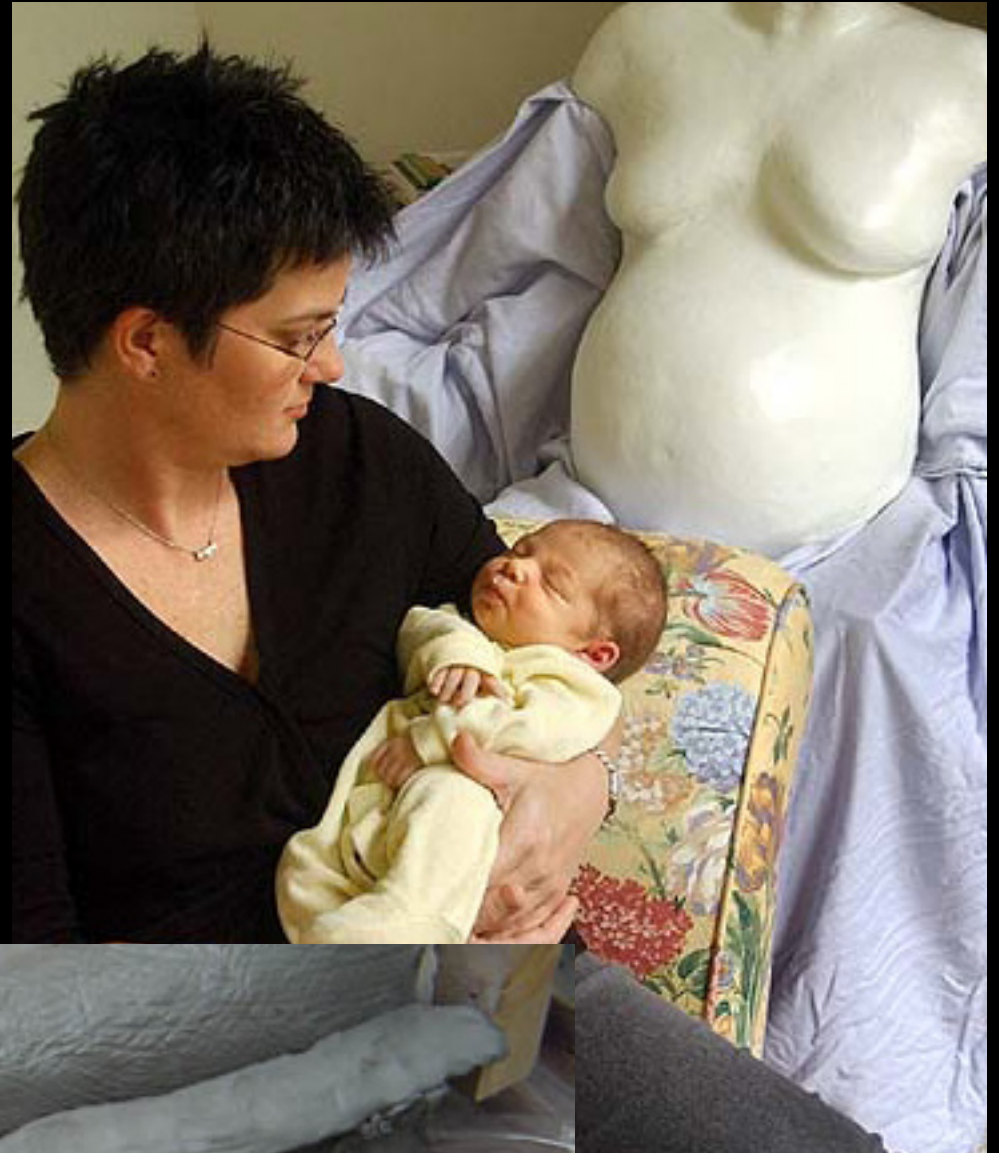
Motivations



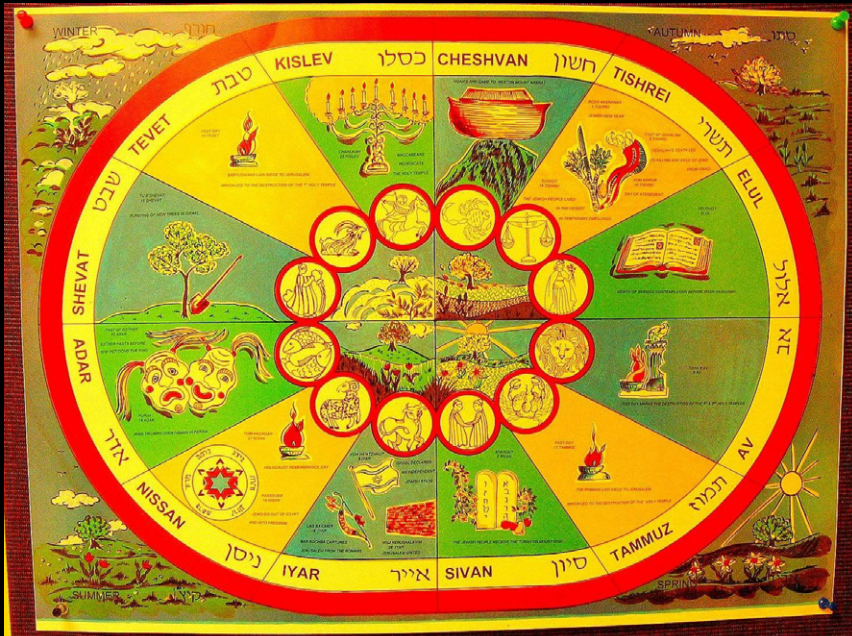
Human Observation



Human Observation



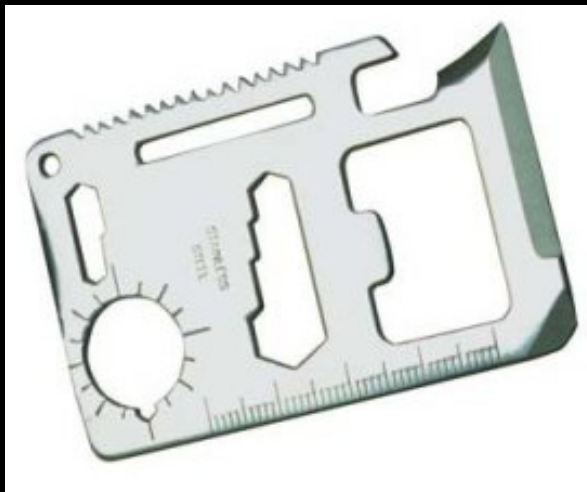
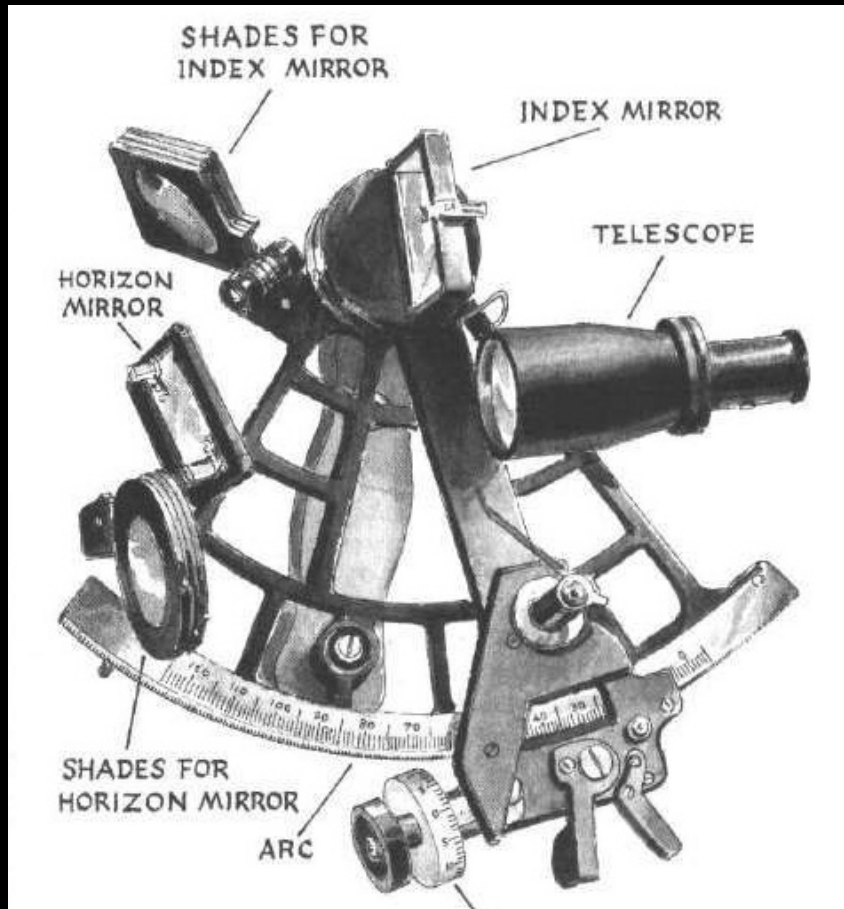
Human Observation



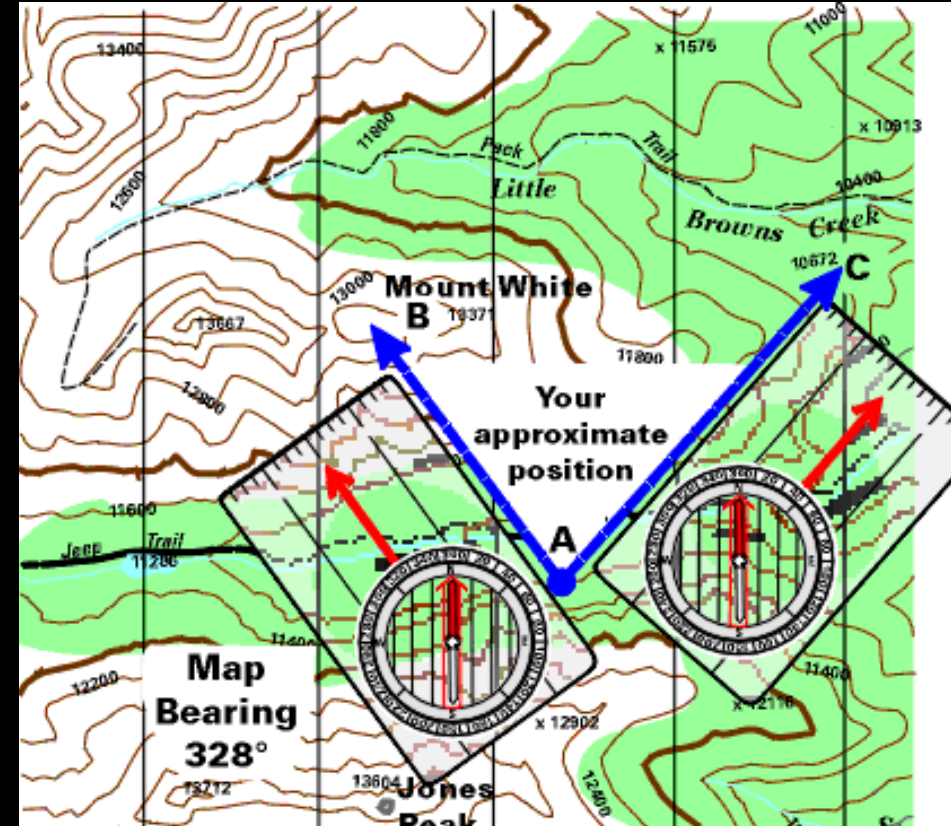
Cartography/Navigation



Cartography/Navigation



Cartography/Navigation



Cartography/Navigation



- 1** **Inwood Hill Park Nahana Center**
238th & Indian Rd.
Large-scale worm bin for community & Center's food waste. Educational portable worm bin, too.
- 2** **Riverside-Inwood Neighborhood Garden (RING)**
Dyckman, Riverside & Broadway triangle
3 compost bins, 2 wire toading pens & worm bin. Schools program, butterflies-and more.
- 3** **Our Lady Queen of Mercy School**
71 Arden St.
Composting cafeteria waste in rooftop garden.
- 4** **Riley-Levin Children's Garden Swedler Cove Park**
Harlem River Drive & Dyckman St.
Compost bin in children's garden.

- 5** **West 181st Street Beautification Project**
880 W. 181st St.
Public drop off. Compost in beautiful community garden with youth leadership program.



A community garden is a great place to start composting, and there are almost 200 in Manhattan! Most compost their yard waste to improve the soil and help plants thrive. Harlem & the East Village Garden District have the most! Find the closest at GreenNYC.net. This map features with compost and education programs & shows many more! GreenNYC.net is a great resource, as is NYC.gov, GreenNYC.org, NYC.gov, and NYC.gov. is a wonderful way to create community, clean air and compost, all at once.

GREEN MAP LEGEND

- Public Composting Site
- School with Composting
- Environmental Center
- Greenermarket
- Great Views
- Parks/Recreation Area
- Community Garden
- Rooftop Garden
- Native Plants
- Solar Energy
- Special Household Waste Station
- Info Resources Online

Icons © Green Map System, Inc. 2003
All rights reserved.
Scale = 1 mi



Updates? Comments?
Suggest new sites GreenMap.org
or email apple@greenmap.org,
Reach Green Map System at
PO Box 245, New York, NY 10002
212-678-1631

- 9** **High School for Environmental Studies**
444 W. 56th St.
Worm bins in classrooms, garden-waste composting on roof and composting club.

- 10** **NYC Department of Sanitation Special Waste Collection Center**
605 W. 30th St. btw 11th & 12th Aves.
Public drop-off open 10am to 5pm, last Friday of each month & Saturdays, except the last 4th of each month. Bring batteries, fluorescent bulbs, paint, etc. No compost!

- 24** **City As School**
16 Clarkson St.
Composting with Project Grow on neighborhood program.

- 25** **Battery Park City Parks Conservancy**
Battery Park Pl. & Thames St.
Earth Tubes compost system for office & supermarket food waste. Ecologically sound "leave it on the lines" policy & withdrawal for yard waste.

Does your favorite cafe or food shop compost? Ask them!

- 6** **PS 76 A.P. Randolph School**
220 W. 121st St.
Fun Fly Pig compost bin and yard waste system.

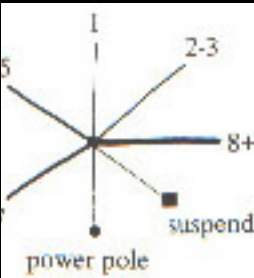
- 7** **Pleasant Park Garden**
437 E. 114th St.
Three bin composter for yard and members' food waste built by NY Restoration Project, with rainwater recycling and straw bale shed!

- 8** **Central Park Conservancy**
Compost Drive, near E. 105th St. behind Conservatory Garden
CPC composts all the Park's yard waste in windrows. Everything from bins lowers to algae from the ponds!

"My whole life had been spent waiting for an epiphany, a manifestation of God's presence, the kind of transcendent, magical experience that lets you see your place in the big picture. And that is what I had with my first compost heap!"
Betha Miller, New York Restoration Project



- 11** **The School of the Future**
127 E. 22nd St.
Vermicomposting of local business waste.
- 12** **Solar One**
E. 23rd St. & FDR Drive
Educational worm bin for Solar 1's food waste. Green building and arts, too!
- 13** **Stuyvesant Cove Park**
E. 18th - 23rd St. & FDR Drive
3-bin compost system for yard waste, mid-park. Riverside sub-neighborhood!
- 14** **Union Square Greenermarket**
17th St. & Park Ave. South
Public drop off & compost outreach at LESE's stand, every MWF & Saturday, 8am to 5pm. Get this map here!
- 15** **Lower East Side Garden**
E. 11th St., east of 1st Ave.
Composting in Open Road's student-designed garden.
- 16** **Lower East Side Ecology Center Garden**
E. 7th St. btw Aves. B & C (north side)
Public drop off, any time through gate opening. Community garden open year-round. Sundays 8am to 5pm.
- 17** **Franklin Roosevelt PS 34**
730 E. 12th St.
Educational composting in historical garden setting.
- 18** **6B Garden, 6BC Garden**
E. 6th St. & Ave. B, corner & mid-block
Composting their own yard waste and garden members' food waste.
- 19** **Earth School**
600 E. 6th St.
Outdoor bins in school's garden for yard waste & students' food waste.
- 20** **East River Park**
Delano St. & FDR Drive
LESE's custom-built in-vessel food waste system composts waste-collected from their public drop off sites.
- 21** **Grand St. Fibreval House**
Grand St. & FDR Drive
LESE's East River Park Environmental Learning Center. Compost & ecology workshops & events, year-round!
- 22** **PS 134**
293 East Broadway
Classroom worm bins & garden compost site in development.
- 23** **PS 2**
122 Henry St.
Classroom worm bins.



Cartography/Navigation

MassWildlife
Pocket Guide to MA Animal Tracks

Track Pattern

| | |
|----------------------------------|---------------------------------|
| | |
| White-Tailed Deer 2 1/2" - 3" | Moose 4 1/2" - 5 1/2" |
| | |
| Dog 2 1/4" - 4" | Coyote H: 2 1/4" F: 2 1/2" |
| | |
| Red Fox H: 2" F: 2 1/4" | Gray Fox H: 1 3/4" F: 1 1/2" |
| | |
| Bob Cat 2" | House Cat 1 1/8" |
| | |
| Otter: 3 1/4" | Fisher: 2 1/4" |
| | |
| Mink: 1 5/8" | Weasel: 1/2" - 1" |

Track Pattern

| | |
|--------------------------------------|---------------------------------------|
| | |
| Raccoon H: 4" F: 2 1/2" | Striped Skunk H: 1 1/2" F: 1 1/2" |
| | |
| Porcupine H: 3" F: 2 1/2" | Beaver H: 6" F: 3" |
| | |
| Black Bear H: 7-9" F: 4 1/2" | Opossum H: 2" F: 1 3/4" |
| | |
| Woodchuck H: 2 1/4" F: 2" | Muskrat H: 1 1/2" F: 1" |
| | |
| Showshoe Hare H: 5" F: 1 1/2" | Cottontail Rabbit H: 4" F: 1" |
| | |
| Gray Squirrel H: 2 1/4" F: 1 1/2" | White-Footed Mouse H: 5/8" F: 1/4" |

Track Pattern

| | | |
|--------------|------------|-------------------|
| | | |
| Crow: 2 1/2" | Turkey: 4" | Ruffed Grouse: 2" |

Tracks Not To Scale

Tracks will show considerable variation depending upon conditions of ground (snow, mud, dust, sand, etc.) and movement of animal.

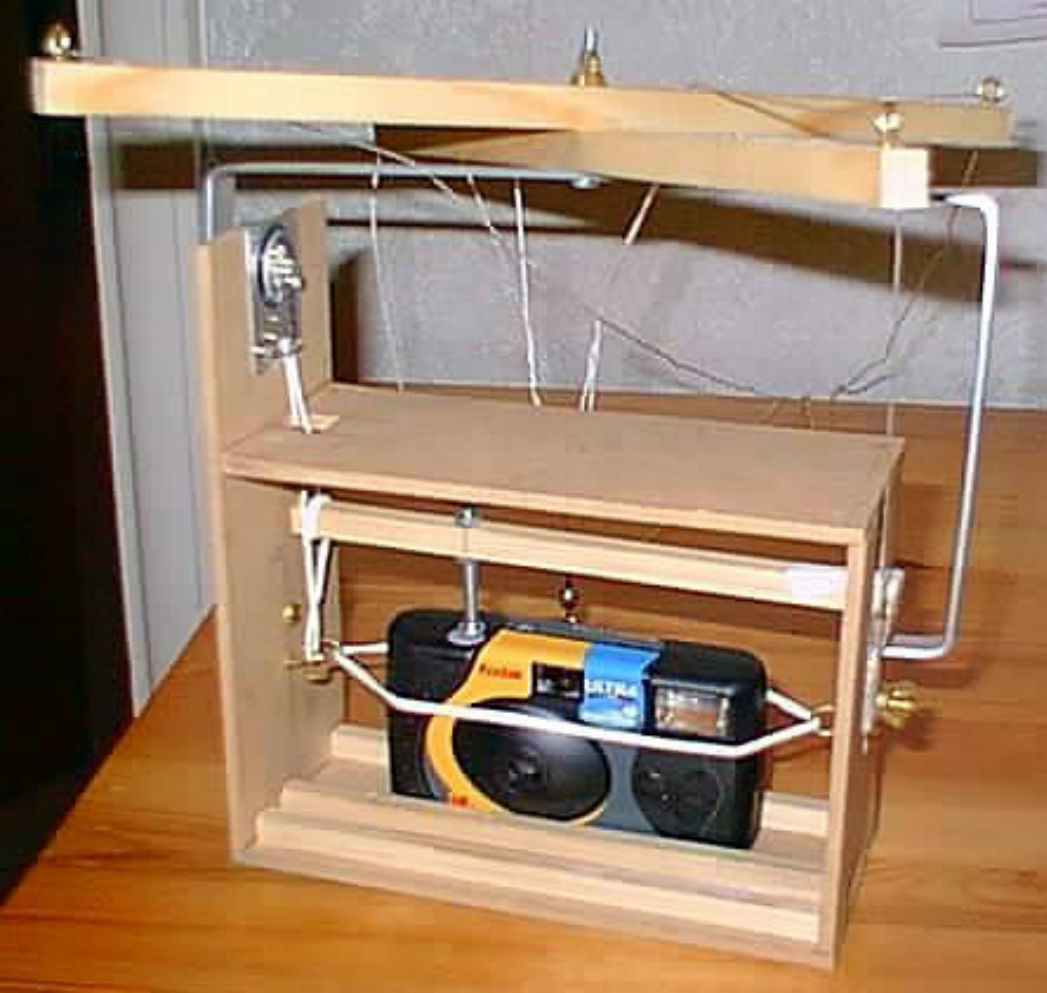
F: Front Track
H: Hind Track
T: Tail marks may be present

Protect wildlife and its habitat. Support the Wildlands Fund.

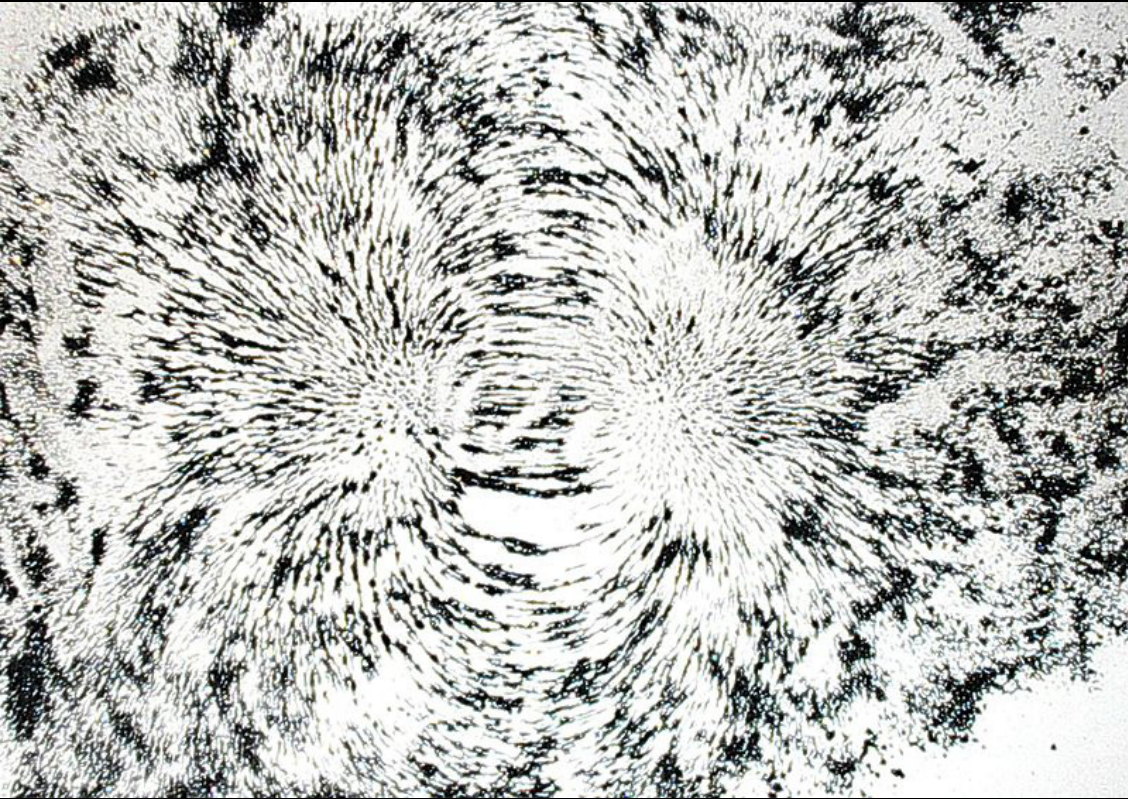
Division of Fisheries & Wildlife Field HQ
1 Rabbit Hill Rd., Westboro, MA 01581
508.792.7270 • www.state.ma.us/dfwele/dfw



Scientific Demonstration/Research



Scientific Demonstration/Research



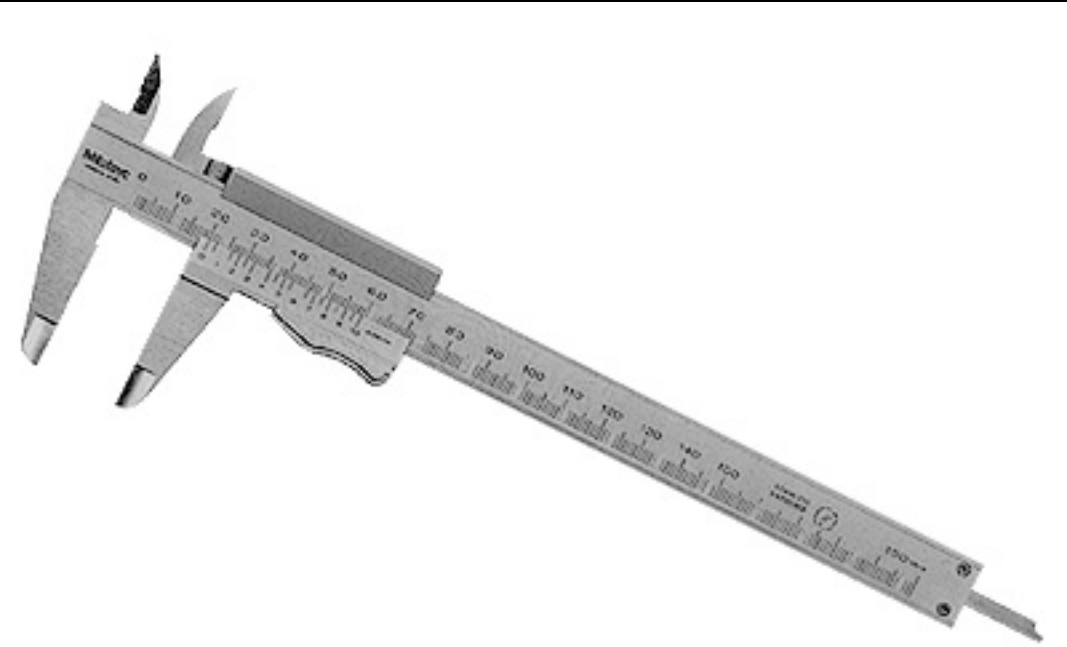
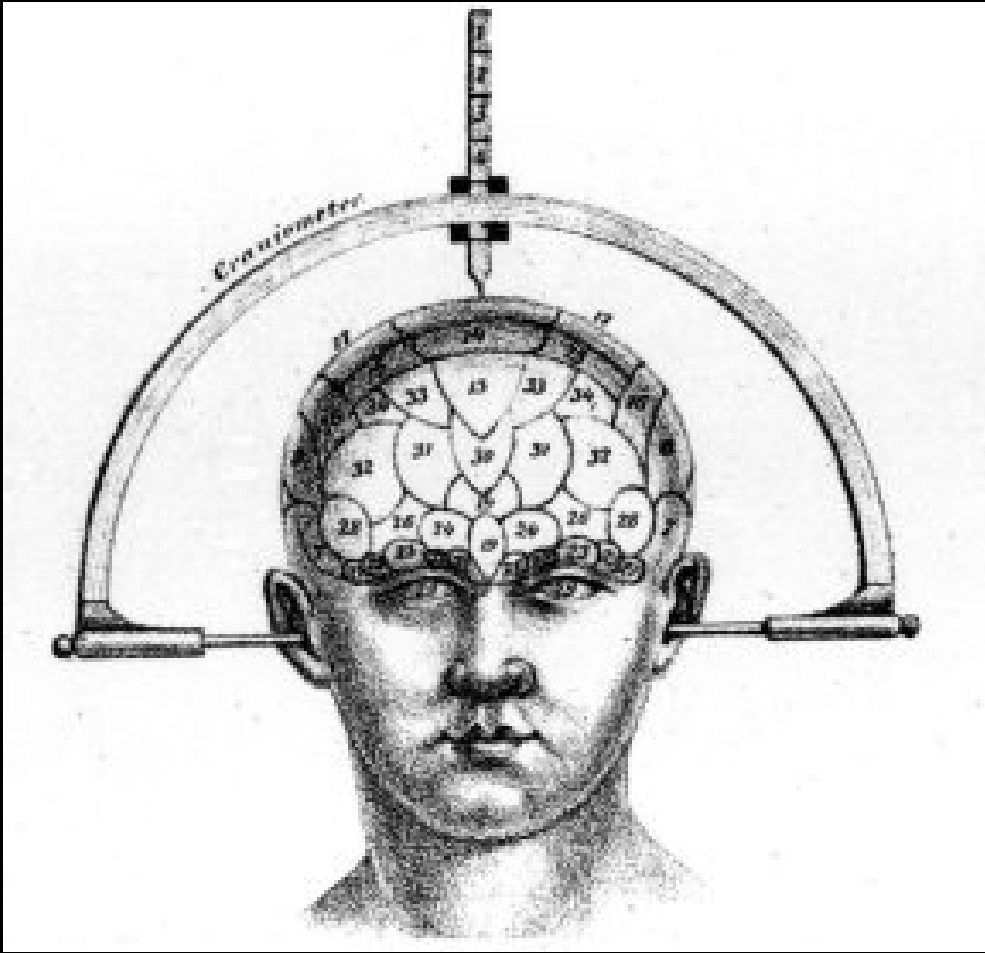
Scientific Demonstration/Research



Scientific Demonstration/Research



Scientific Demonstration/Research



Community Efforts



SPECIMEN REQUESTS

WANTED!

The following requests for fungal specimens from Arizona have been made:

'Stalked Puffballs' in the genus *Tulostoma* needed

Tulostoma is large and widespread genus of 'stalked puffballs'. W.H. Long published treatments of the genus in the 1940's, which included several species from Arizona. Jorge Wright's 1987 monograph of *Tulostoma* clarify the taxonomy within the genus.

[AMP
HOME PAGE](#)

[ARIZONA
CHECKLISTS](#)

[ARIZONA FUNGI](#)

[ARIZONA
MYCOLOGISTS](#)

[CONTRIBUTE](#)



Examples

